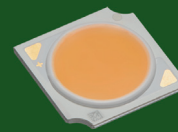


New Concept COB

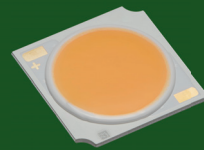
# CITILED Standard COB Ver.9 Series Type-M

**A new Concept of COB achieves :**

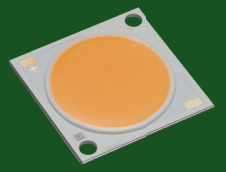
- Higher center-beam intensity
- Tighter beam angle  
in combination with optics



CLU02Q



CLU03Q



CLU04Q

## CITILED Standard COB Ver.9 Series Type-M

The new concept COB offers enhanced optical compatibility, seamless integration of High intensity series and Standard series, optimized light distribution angles, and improved center-beam intensity for superior performance. the basic features include multiple package sizes (CLU02Q/CLU03Q/CLU04Q) with LES options, S/P circuit lineup, a wide color range covering CCT and CRI, and full compatibility with Ver.9 specifications (IF=230mA per die).

## Color Variation

Package	Die Configuration	70 CRI Min. On B.B.L. (3-step MacAdam ellipse)			80 CRI Min. On B.B.L. (2-step MacAdam ellipse)			90 CRI Min. On B.B.L. (2-step MacAdam ellipse)		
		3000K	4000K	5000K	3000K	4000K	5000K	3000K	4000K	5000K
CLU02Q	1203	○	○	○	○	○	○	○	○	○
	1204	○	○	○	○	○	○	○	○	○
CLU03Q	1208	○	○	○	○	○	○	○	○	○
	1210	○	○	○	○	○	○	○	○	○
CLU04Q	1812	○	○	○	○	○	○	○	○	○
	1818	○	○	○	○	○	○	○	○	○

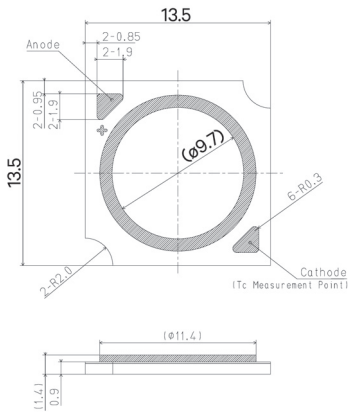
## Representative specifications

Product code	Electro-optical Characteristics									Absolute Maximum Rating
	CRI	CCT	Forward current (mA)	Voltage Typ. (V)	Input power Typ. (W)	Luminous flux Typ. (lm)	Efficacy Typ. (lm/W)	Thermal resistance Rj-c(C/W)	Forward current (mA)	
CLU02Q-1203E1-302H5X3-M10	90Min.	3000K	270	33.8	9.1	1,248	137	1.0	690	
CLU02Q-1204E1-302H5X3-M10	90Min.	3000K	360	33.8	12.2	1,625	134	0.86	920	
CLU03Q-1208E1-302H5X3-M10	90Min.	3000K	720	33.8	24.3	3,292	135	0.48	1,840	
CLU03Q-1210E1-302H5X3-M10	90Min.	3000K	900	33.8	30.4	4,089	134	0.40	2,300	
CLU04Q-1812E1-302H5X3-M10	90Min.	3000K	1,080	50.7	54.8	7,436	136	0.24	2,760	
CLU04Q-1818E1-302H5X3-M10	90Min.	3000K	1,620	50.7	82.1	10,799	131	0.16	4,140	

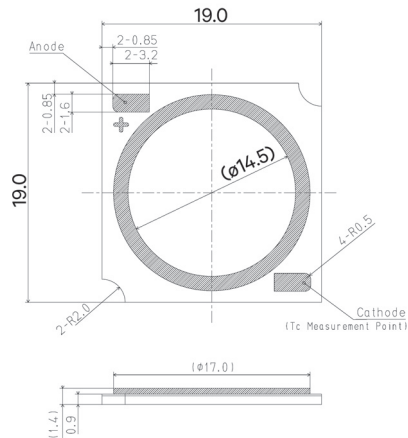
(Tj=85C)

## Outline Drawing

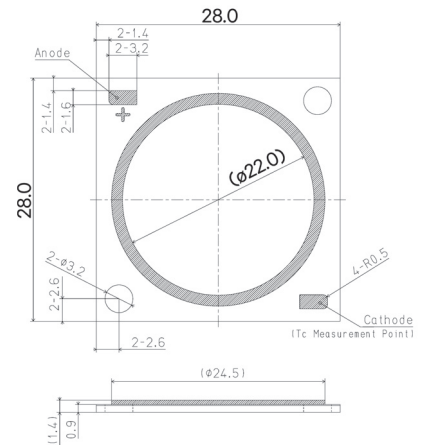
CLU02Q



CLU03Q



CLU04Q



Note: Product codes and specifications in this catalogue are subject to change without notice for improvement, and products may be discontinued. We will not be held liable for any damages or costs caused by such change or discontinuation. Please ask our sales team for details of the release date and the latest specifications of each product.

## Contact

Website <https://ce.citizen.co.jp/e/>  
 Sales Network [https://ce.citizen.co.jp/productse/sales\\_network](https://ce.citizen.co.jp/productse/sales_network)  
 Requests / inquiries E-mail: [cej-inquiry@ml.citizen.co.jp](mailto:cej-inquiry@ml.citizen.co.jp)

CITIZEN ELECTRONICS CO., LTD. shall not be liable for any disadvantages or damages resulting from the use of downloaded data or the impossibility of download and use, responsibility for the cause of lawsuit or any other damages or losses. This data shall be provided as is to users and CITIZEN ELECTRONICS CO., LTD. does not guarantee the absence of error or other defects in this data, conformance of this data to specific purpose, this data or its use will not infringe the right of users or third parties or any other matters. CITIZEN ELECTRONICS CO., LTD. reserves the right to make changes to data without notification.