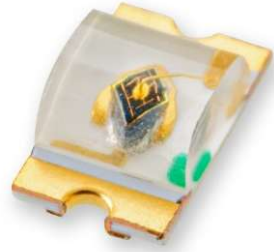
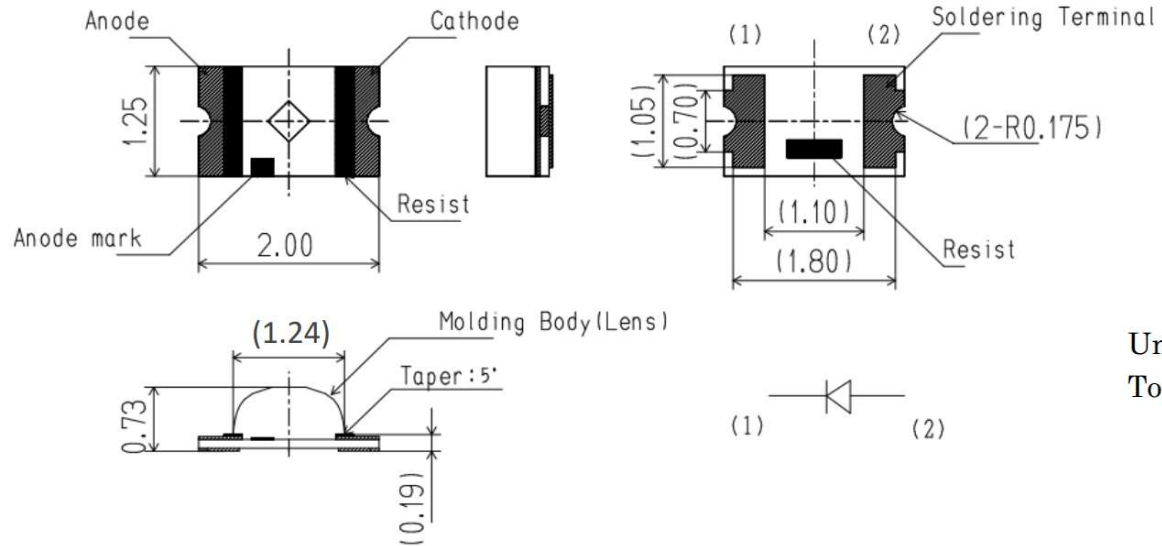


CL-671-IRE (Top-view Emitting, Wide Angle Type)

Appearance



Package Dimensions : 2.00 x 1.25 x 0.73t (mm)



Unit: mm
Tolerance: ±0.1

Specifications *Ta=25°C

Item	Symbol	condition	Spec(typ)	Unit
Forward Voltage	VF	IF=30mA	1.5	V
Radiant intensity	Ie		3.65	mW/sr
Peak wavelength	λ_p		854	nm
Spectrum width of half value	$\Delta\lambda$		30	nm

FWHM 150deg

