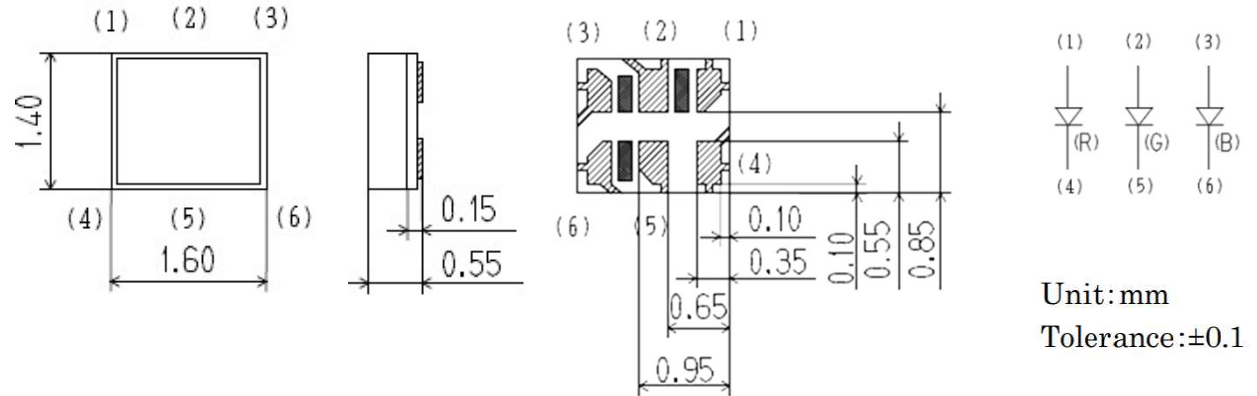


CL-V502S-F4 (Top-view Emitting Type)

Appearance



Package Dimensions : 1.6 x 1.4 x 0.55t (mm)



Specifications *T_a=25°C

Item	Symbol	condition	Spec(typ)			Unit
			R	G	B	
Forward Voltage	V _F	I _F =20mA	2.20	3.29	3.16	V
Reverse Current <small>*max</small>	I _R	V _R =4V	1	2	2	μA
Luminous Intensity	I _v	I _F =20mA	1090	2270	615	mcd
Dominant Wavelength	λ _d	I _F =20mA	621	532	472	nm