

Precautions for use of Compact Chip LED products

- (1) When adopting the product for mass production, please exchange formal specifications with us.
- (2) Do not reverse-engineer the product including disassemble or analyze without our approval.
- (3) The product is not in conformity to IATF16949 or intended to be used for in-vehicle application. The product is not designed or manufactured to be used for special application (e.g. trains, ships, airplanes, spaceships, submarine repeaters, atomic energy control systems, traffic equipment, combustion equipment, medical devices, and safety devices). We will not guarantee any application suitability for goods like those described above that require special quality and reliability. In cases where the product is used in special applications and it causes extensive property damage, threatens human life or damages the human body, we will not be held liable.
- (4) The specification and appearance of the product may change without notice for improvement, etc.
- (5) This technical information and data is provided for users as is, and we do not guarantee that it is free from errors or defect in technical information and data, or this technical information and data conform to special applications, or this technical information and data does not infringe any rights of the user or third parties other than the user, or any other contents (including changes in contents for improvement of the specification and appearance of the product) thereof.



1.8(L) ×
1.1(W) × 0.3(H)mm

CL-482S Series

特征 Features

1. 单色发光LED
Mono-color lighting LED
2. 侧面发光, 小型·薄型
Side-lighting, compact/thin type
3. 可从印刷电路板的背面实施自动贴装
Automatically mountable from rear side of PCB

●绝对最大额定值 Absolute Maximum Rating

(Ta 25°C)

产品代码 Product code	Pd (mW)	IF (mA)	IFP (mA)	VR (V)	Top (°C)	Tst (°C)
CL-482S-TR2	58	30	100*	4	-25~+80	-30~+85
CL-482S-TD2	78	30	100*	4	-25~+80	-30~+85
CL-482S-HG8	72	20	100*	4	-25~+80	-30~+85
CL-482S-HB8	76	20	50*	4	-25~+80	-30~+85

* IFP的条件为duty 1/10, 脉冲宽度为0.1msec。

* Conditions for IFP are pulse of 1/10 duty and 0.1msec width.

●电气·光学特性 Electrical and Optical Characteristics

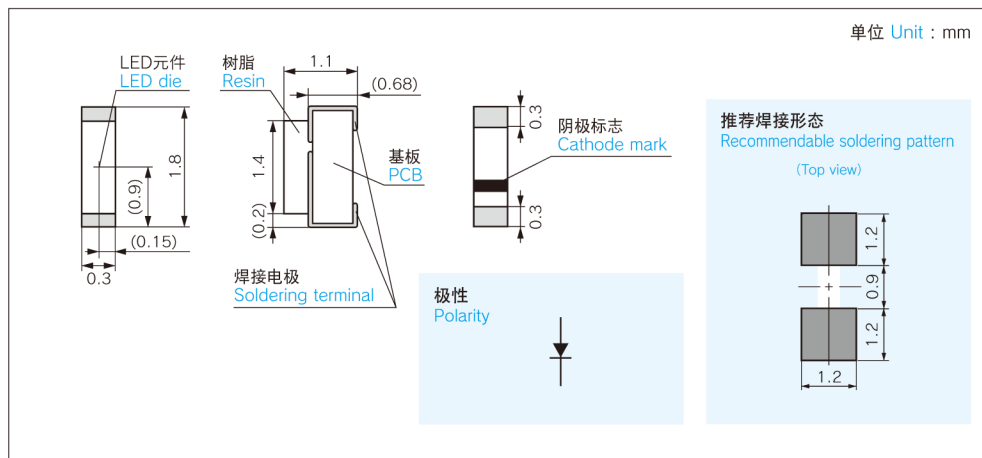
(Ta 25°C)

产品代码 Product code	VF			λp typ (nm)	Iv*		
	IF (mA)	typ (V)	max (V)		IF (mA)	min (mcd)	typ (mcd)
CL-482S-TR2	20	2.1	2.68	630	20	23	80
CL-482S-TD2	20	2.1	2.68	605	20	23	110
CL-482S-HG8	5	2.9	3.4	530	5	63.6	140
CL-482S-HB8	5	2.9	3.24	470	5	20	32

* 符合NIST标准 * Compliant with NIST standards

●外形尺寸图 Outline drawing

单位 Unit : mm



包装数量 : 5,000个/卷 (φ 180mm) Loaded quantity: 5,000pcs./1 reel (φ 180mm)