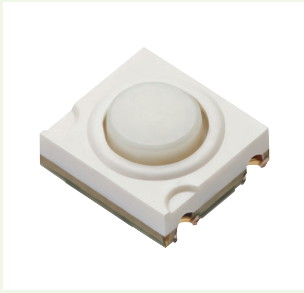


Precautions for use of Tactile switch products

- (1) When adopting the product for mass production, please exchange formal specifications with us.
- (2) Do not reverse-engineer the product including disassemble or analyze without our approval.
- (3) Please make sure to notify us in advance if you consider using the product for in-vehicle applications. Please use the product for in-vehicle applications within the scope of the specification. We will not guarantee damages you incurred by using the product for applications beyond the scope of the specification.
- (4) The product is not designed or manufactured to be used for special application (e.g. trains, ships, airplanes, spaceships, submarine repeaters, atomic energy control systems, traffic equipment, combustion equipment, medical devices, and safety devices). We will not guarantee any application suitability for goods like those described above that require special quality and reliability. In cases where the product is used in special applications and it causes extensive property damage, threatens human life or damages the human body, we will not be held liable.
- (5) When designing as a set where safety is important, make sure to consider the impact that a malfunction of a single switch has on the whole set, and ensure safety with a fail-safe design such as using a protection circuit or a protection device.
- (6) The specification and appearance of the product may change without notice for improvement, etc.
- (7) This technical information and data is provided for users as is, and we do not guarantee that it is free from errors or defect in technical information and data, or this technical information and data conform to special applications, or this technical information and data does not infringe any rights of the user or third parties other than the user, or any other contents (including changes in contents for improvement of the specification and appearance of the product) thereof.

LS38 Series

正面按压模具型 Top-press mold type



特征 Features

- 小型·薄型, 高灵敏度
Compact and thin, high sensitivity
- 防尘·防水结构 (相当于IP67)
Dust- and waterproof mechanism (Equivalent to IP67)

用途 Application

- 汽车音响设备
Car audio devices
- 各种AV装置
Various AV devices



产品代码 Product code

LS	38	■	■	-	■
TACTILE SWITCH通用编号 Common for TACTILE SWITCHes	系列 Series	开关高度 Length G=1.4mm、J=2.5mm	按压负荷 Operating force 1=0.9N、2=1.8N 3=2.4N		包装方式 Delivery form T=编带 无标记=批量 T=Tape and reel No coded=Bulk packing

电气及机械特性 Electrical and Mechanical Characteristics

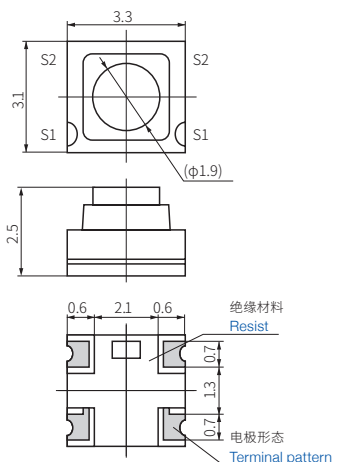
(Ta 25°C)

项目 Item	规格 Specifications
最大额定值 Maximum rating	DC12V 20mA
接触阻抗 Contact resistance	500mΩ或以下 500mΩ or less
绝缘阻抗 Insulation resistance	100MΩ或以上 100MΩ or more
耐电压 Withstanding voltage	1分钟AC250V AC250V for one minute
反弹 Bounce	20ms或以下 20ms or less
行程 Stroke	0.11mm 0.15mm
按压负荷 Operating force	0.9N 1.8N 2.4N
动作寿命 Operating life (times)	20万次或以上 200,000 or more 10万次或以上 100,000 or more 5万次或以上 50,000 or more

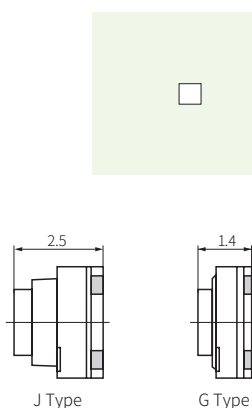
外形尺寸图 Outline drawing

单位: mm Unit: mm

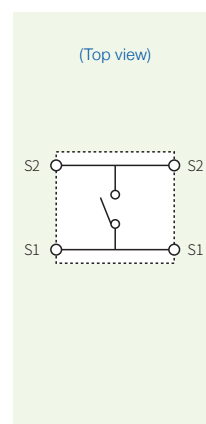
<LS38J>



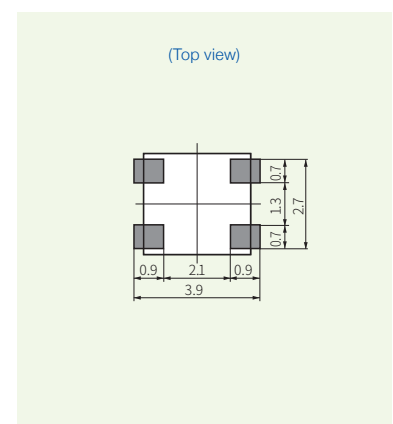
全尺寸 Actual size



电路图 Circuit drawing



推荐焊接形态 Recommendable soldering pattern



包装数量: J 3,000个×2卷(∅330mm)
: G 4,000个×2卷(∅330mm)

Loaded quantity: J 3,000 pcs.× 2 reels (∅330mm)
Loaded quantity: G 4,000 pcs.× 2 reels (∅330mm)

●要将LS38 Series用于车载设备时, 请联系本公司。
Please contact us when using LS38 Series installing on the vehicle-mounted products.