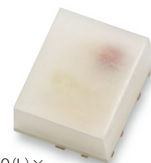


Precautions for use of Compact Chip LED products

- (1) When adopting the product for mass production, please exchange formal specifications with us.
- (2) Do not reverse-engineer the product including disassemble or analyze without our approval.
- (3) The product is not in conformity to IATF16949 or intended to be used for in-vehicle application. The product is not designed or manufactured to be used for special application (e.g. trains, ships, airplanes, spaceships, submarine repeaters, atomic energy control systems, traffic equipment, combustion equipment, medical devices, and safety devices). We will not guarantee any application suitability for goods like those described above that require special quality and reliability. In cases where the product is used in special applications and it causes extensive property damage, threatens human life or damages the human body, we will not be held liable.
- (4) The specification and appearance of the product may change without notice for improvement, etc.
- (5) This technical information and data is provided for users as is, and we do not guarantee that it is free from errors or defect in technical information and data, or this technical information and data conform to special applications, or this technical information and data does not infringe any rights of the user or third parties other than the user, or any other contents (including changes in contents for improvement of the specification and appearance of the product) thereof.

CL-341 Series

2.0(L) ×
1.6(W) × 0.75(H)mm



特徴 Features

- 1. 同一パッケージで3色発光
3 colors emitting from a single package
- 2. 上面発光、小型・高出力
Upward-lighting, compact/high output type

●絶対最大定格 Absolute Maximum Rating

(Ta 25°C)

Series	Color variation	Pd (mW)	IF (mA)	IFP (mA)	VR (V)	Top (°C)	Tst (°C)
CL-341	Red	52	20	100*	4	-25~+85	-30~+100
	Green	74	20				
	Blue	74	20				

* IFPの条件はduty 1/10、パルス幅0.1msecです。
* Conditions for IFP are pulse of 1/10 duty and 0.1msec width.

●電気的光学的特性 Electrical and Optical Characteristics

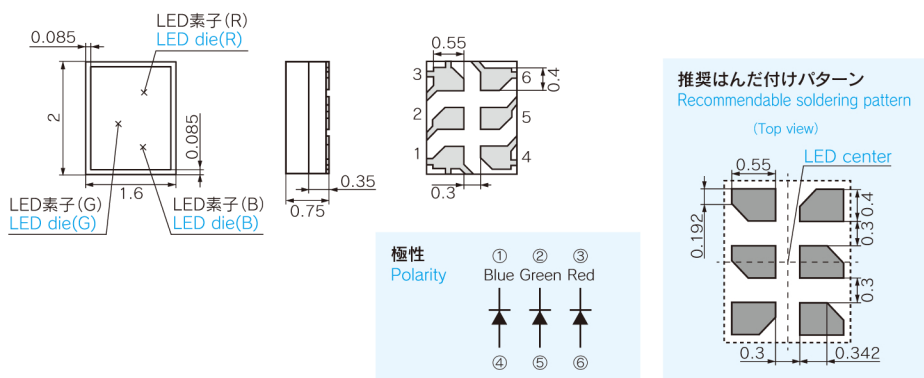
(Ta 25°C)

Parameter	Color variation	Symbol	Conditions	MIN	TYP	MAX	Unit
順電圧 Forward Voltage	Red	VF	IF=20mA	1.75	—	2.68	V
	Green			2.72	—	3.81	
	Blue			2.76	—	3.81	
逆電流 Reverse Current	Red	IR	VR=4V	—	—	(10)	μA
	Green			—	—	(10)	
	Blue			—	—	(10)	
光度 Luminous Intensity*	Red	Iv	IF=20mA	—	820	—	mcd
	Green			—	2140	—	
	Blue			—	325	—	
ドミナント波長 Dominant Wavelength	Red	λd	IF=20mA	619	624	629	nm
	Green			520	528	535	
	Blue			455	460	465	

* NIST規格に準拠 * Compliant with NIST standards

●外形寸法図 Outline drawing

単位 Unit : mm



包装数量: 2,500個/1リール(φ 180mm) Loaded quantity: 2,500pcs./1 reel(φ 180mm)