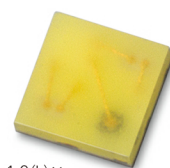


Precautions for use of Compact Chip LED products

- (1) When adopting the product for mass production, please exchange formal specifications with us.
- (2) Do not reverse-engineer the product including disassemble or analyze without our approval.
- (3) The product is not in conformity to IATF16949 or intended to be used for in-vehicle application. The product is not designed or manufactured to be used for special application (e.g. trains, ships, airplanes, spaceships, submarine repeaters, atomic energy control systems, traffic equipment, combustion equipment, medical devices, and safety devices). We will not guarantee any application suitability for goods like those described above that require special quality and reliability. In cases where the product is used in special applications and it causes extensive property damage, threatens human life or damages the human body, we will not be held liable.
- (4) The specification and appearance of the product may change without notice for improvement, etc.
- (5) This technical information and data is provided for users as is, and we do not guarantee that it is free from errors or defect in technical information and data, or this technical information and data conform to special applications, or this technical information and data does not infringe any rights of the user or third parties other than the user, or any other contents (including changes in contents for improvement of the specification and appearance of the product) thereof.

CL-505S Series RGW

1.0(L) ×
1.0(W) × 0.26(H)mm



特徴 Features

1. 同一パッケージで3色発光
3 colors emitting from a single package
2. 上面発光、超小型・薄型
Upward-lighting, ultra-compact/thin type

●絶対最大定格 Absolute Maximum Rating

(Ta 25°C)

Series	Color variation	P*1 (mW)	Pd (mW)	IF (mA)	IFP (mA)	VR (V)	Top (°C)	Tst (°C)
CL-505S-RGW	Red	125	78	30	100*2	4	-25~+80	-30~+85
	Green		76	20				
	White		72	20				

*1 P1は同時点灯時の全許容損失を示します。/*2 IFPの条件はduty 1/10、パルス幅0.1msecです。
*1 P means total value of power dissipation when both colors are on./*2 Conditions for IFP are pulse of 1/10 duty and 0.1msec width.

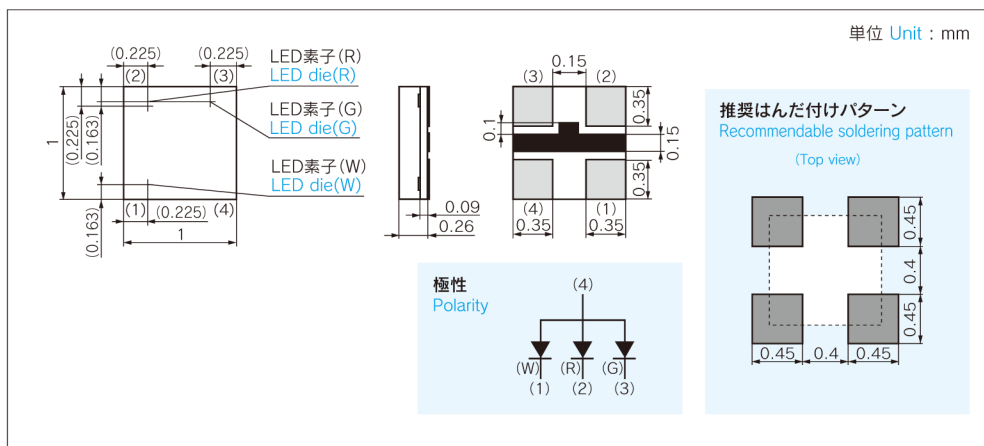
●電気的光学的特性 Electrical and Optical Characteristics

(Ta 25°C)

Parameter	Color variation	Symbol	Conditions	MIN	TYP	MAX	Unit
順電圧 Forward Voltage	Red	VF	IF=5mA	1.36	1.85	2.47	V
	Green			2.33	2.7	3.19	
	White			2.33	2.75	3.19	
逆電流 Reverse Current	Red	IR	VR=4V	—	—	100	μA
	Green			—	—	2	
	White			—	—	2	
光度 Luminous Intensity*1	Red	IV	IF=5mA	23	40	110	mcd
	Green			91	220	468	
	White			82	220	396	
ドミナント波長 Dominant Wavelength	Red	λd	IF=5mA	601	618	629	nm
	Green			516	530	539	
	White			—	—	—	
色度座標 Chromaticity coordinates*2		x, y	IF=5mA		x(±0.02)	y(±0.02)	
				a	0.205	0.118	
				b	0.205	0.216	
				c	0.285	0.330	
				d	0.285	0.232	

*1 NIST規格に準拠/*2 色度座標は、a、b、c、dに囲まれた範囲です。
*1 Compliant with NIST standards/*2 Chromaticity coordinates are surrounded by points a, b, c, and d.

●外形寸法図 Outline drawing



包装数量 : 5,000個/1リール(φ 180mm) Loaded quantity : 5,000pcs./1 reel(φ 180mm)